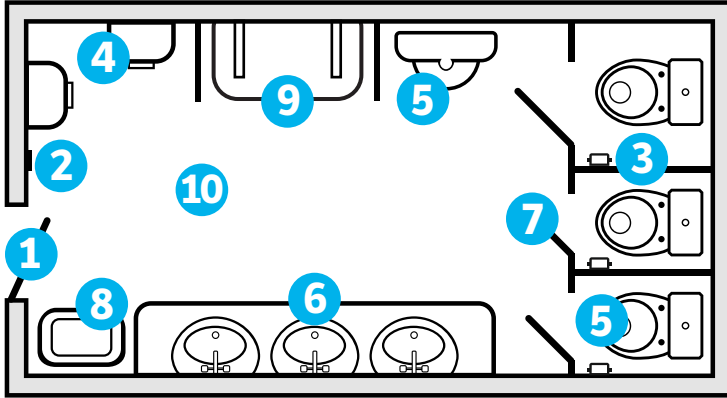


PUBLIC RESTROOM

The average restroom user leaves behind numerous germs that can lead to the spread of illnesses. Keep everything clean by properly cleaning and disinfecting these commonly-touched surfaces.



Key Touchpoints for cleaning include:

- 1  Door handles
- 2  Light switches
- 3  Dispensers (soap, toilet paper, etc.)
- 4  Paper towel holders
- 5  Toilet/urinals (handle, seat, etc.)
- 6  Faucet
- 7  Stall and stall handle
- 8  Trash/recycling receptacle
- 9  Changing stations
- 10  Floors/walls

Bright the smart way to clean!
Solutions.

find us at mybrightsolutions.com and on  and 